

AS14
1022
0011

C16 SUCTION GUN



INSTRUCTION MANUAL

Introduction

Thank you for purchasing a Macnaught Suction Oil Gun.

Macnaught manufacture a complete range of Air Operated Ratio Oil Pumps, Retractable Hose Reels, Metered Oil Dispensing Guns, Greasing Equipment and Accessories to fulfil all your fluid handling needs.

Read and retain this instruction manual to assist you in the operation and maintenance of this product.

Product Description

Model C16 (500ml) Suction Gun is designed for use with oils up to SAE 90.

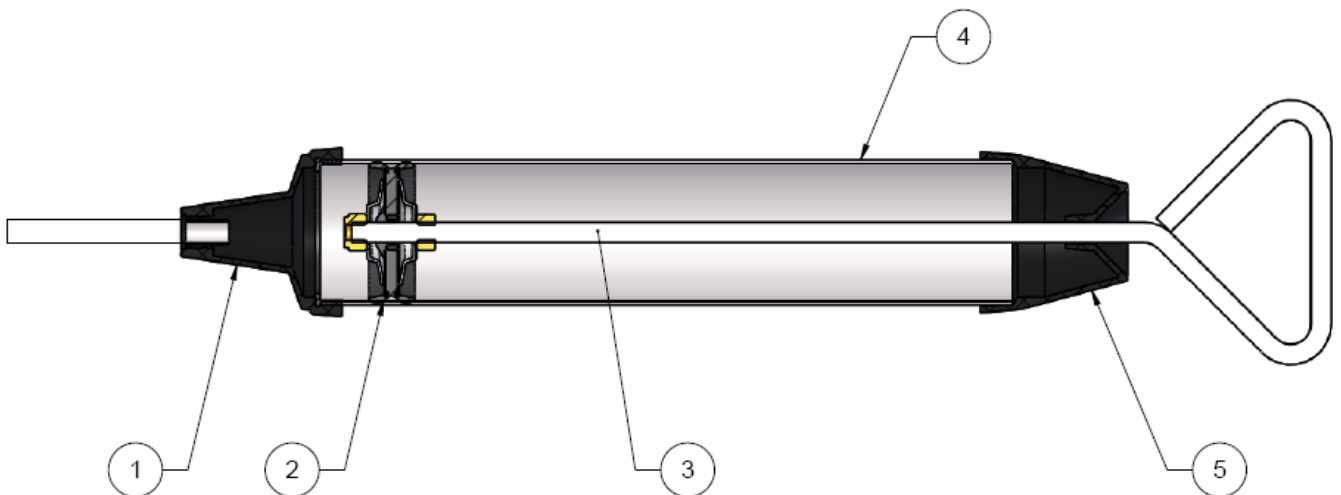
The C16 is Ideal for transferring mineral oils in and out of gearboxes, transfer cases and differentials, as well as evacuating sump out of an inboard marine engine.



Spare Part Listing

Item	Part No.	Description
1	AS10s	Outlet Set
2	AS5s	Follower Set
3	AS4s	Follower Rod
4	AS3s	Barrel
5	AS2s	End Cap

Spare Part Diagram





Macnaught Pty Limited

ABN 66 000 075 785

41-49 Henderson Street
Turrella NSW 2205 Sydney Australia
Postal Address PO Box 90
Amcliffe NSW 2205 Sydney Australia

T: +61 2 9567 0401

F: +61 2 9597 7773

W: www.macnaught.com.au

**For Warranty Terms and Conditions see macnaught.com.au
For a list of Australian Service Centres see macnaught.com.au**