

OS257
0107
0001

OS800-05 OIL SYSTEM INSTRUCTION MANUAL

INTRODUCTION

Thank you for purchasing a Macnaught OS800 specialized bulk oil transfer system. The OS800 oil system has been designed to attach easily to bulk containers.

Macnaught also manufacture a complete range of retractable hose reels, oil dispensing nozzles, fuel pumps, oil pum pumps, positive displacement flowmeters, greasing equipment and a complete range of accessories to suit all your fluid handling needs.

GENERAL INFORMATION

Please take a few moments to read through this manual before assembling and using your OS800 oil system. **Please read and retain this instruction sheet** to assist you on the assembly and installation of your new oil system. Pay special attention to any warnings or cautions mentioned in this instruction manual.

DESCRIPTION

The OS800 carton contains:

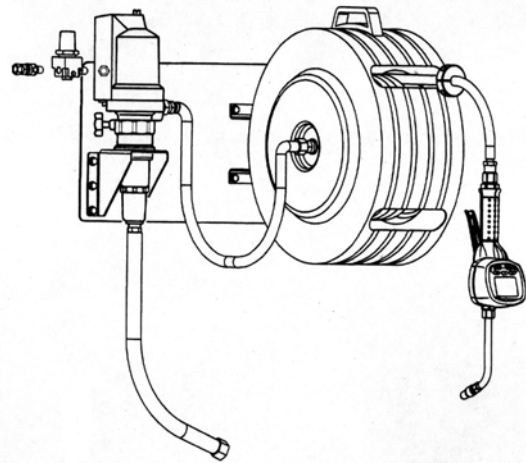
1 x Mounting plate, 1 x T312 Oil pump, 1 x Pump mounting bracket, 1 x OMP100 reel, 1x HG40 Oil gun, 6 x 8mm set screws, 6 x 8mm washers, 1 x Feeder hose assembly, 1x Suction hose assembly (including 1 x 2"x 3/4" adapter and a 1" x 3/4" reducer), 4 x 6mm set screws, 6 x 6mm washers, 1 x Instruction manual, 1 x Air regulator (optional), 1 x Quick release valve set (optional). See fig 2 for assembly details.

ASSEMBLY

- 1) Remove all components from the carton.
- 2) Fit the pump mounting bracket (4) to the mounting plate (2) using the 8mm set screws and washers supplied.
- 3) Screw the pump bung adapter into the mounting bracket.
- 4) Fit the reel mounting bracket (11) to the mounting plate (2) using the 6mm set screws and washers supplied.
- 5) Fit the reel on to the mounting bracket.

Note: Use a suitable thread sealant (eg. Teflon tape) on all screwed fittings but do not over tighten to avoid component damage.

- 4) Screw the 1" x 3/4" reducer to the 3/4" BSP Male fitting on the suction hose, then screw the 1" end of the reducer to the oil inlet on the bottom of the pump and tighten securely.



OS800 OIL TRANSFER SYSTEM

Fig1

Note: The fitting on the remaining end of the suction hose (2" x 3/4" adapter to be attached to the outlet valve on the bulk container. (Note: user to supply outlet valve adapter if required.)

- 5) Screw the feeder hose to the oil outlet on the pump.
- 6) Screw the remaining end of the feeder hose to the reel using the 1/2" (M) x 3/8" (M) reel adaptor supplied.
- 7) Screw the Oil Gun swivel on to the hose outlet on the oil reel.
- 8) Attach the optional air regulator to the oil lubricator.
- 9) Attach the optional quick connect air fitting to the air regulator.



Caution

Make sure all connections are tight before connecting the air supply.

After connecting the air supply, check for any oil leaks at hose connections. Tighten connections as required.

Do not use Air Pressure greater than 10 BAR/ 1000kPa/ 145 PSI.

Disconnect the air line, press the oil gun trigger to release oil line pressure before carrying out any maintenance.

Please refer to the individual product specific instruction sheets for product maintenance and trouble shooting information.

PARTS DIAGRAM

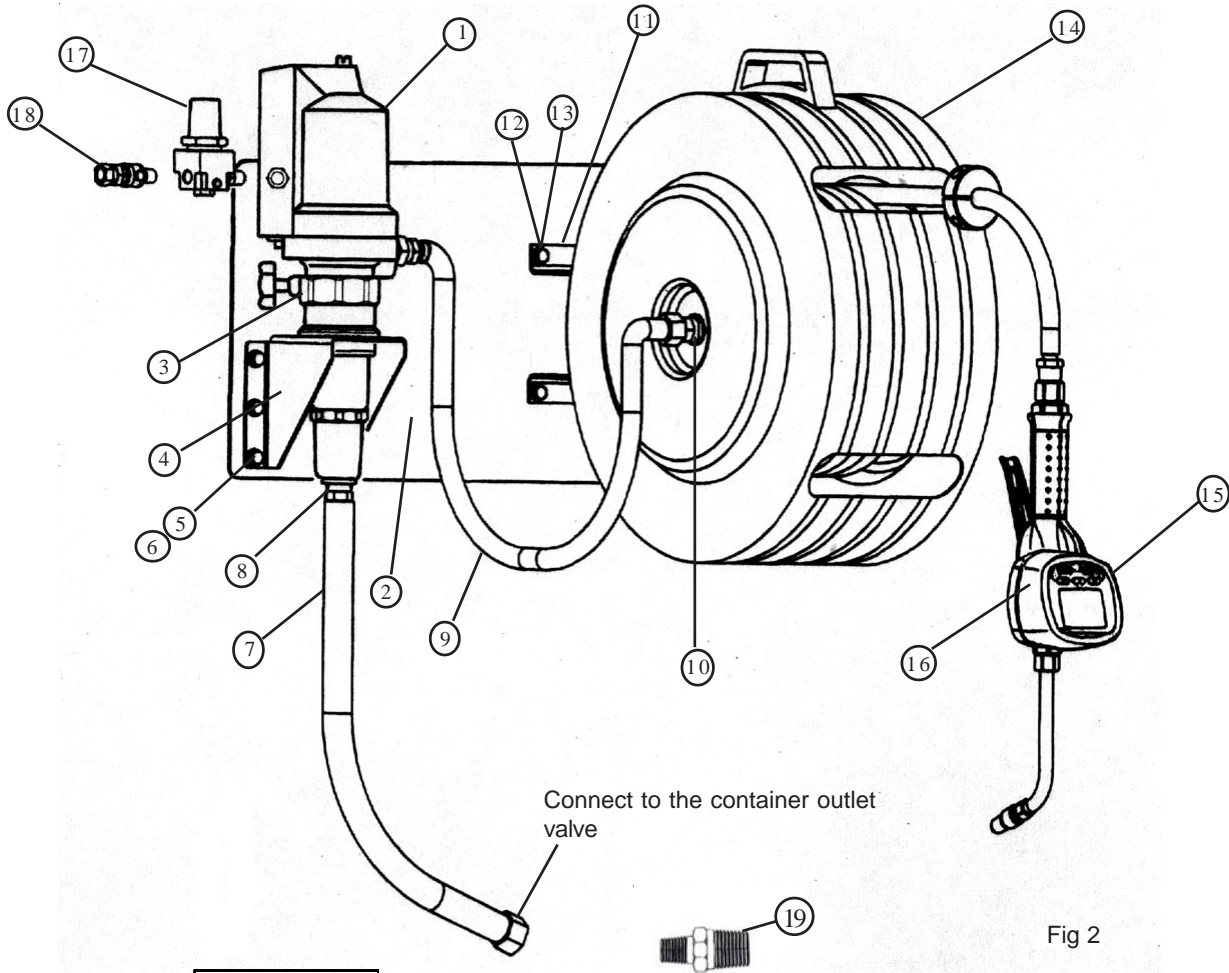


Fig 2

PARTS LIST			ORDER FOR	
ITEM NO	PART NO	NO OFF	REPLACEMENT	DESCRIPTION
1	T312	1	T312-01	3:1 Ratio Pump
2	RB8	1	RB8s	Mounting Plate
3	TB12	1	TB12S	2' Bung Adapter
4	TD20	1	TD20	Wall Bracket
5	N62	6	OS500-1K (incl	8mm x 16 Set Screw
6	MS290	6	4xN61, 4xMS26)	8mm Washer
7	RH107	1	RH107s	Suction Hose Assembly
8	N384	1	N384s	Reducing Bush
9	RH108	1	RH108s	Feeder Hose Assembly
10	RH95	1	RH95s	Nipple (M) 3/8"x1/2" BSP
11	RB60	1	BU100	Reel Bracket
12	N61	4	OS500-1K (incl	6mm x 16 Set Screw
13	MS26	4	6xN62, 6xMS290)	6mm Washer
14	OMP2101	1	OMP100	Oil Reel
15	HG40	1	*	Delivery Nozzle - BSP
16	HG381	1	*	Boot (Blue)
17				
18	TA-4K	1	TA-4K	Air Regulator (optional)
19	TA-5K	1	TA-5K	Quick Release Valve (optional)
20	N387	1	N387s	Adapter 2" (M) X 3/4" (M) BSP

* State type of oil gun being used

macnaught warranty



- Macnaught Pty Ltd ("Macnaught") warrants that all products manufactured by Macnaught and/or supplied by Macnaught under the "Macnaught" brand, excluding M-Series positive displacement meters ("Meters") and components subject to wear, will be free from any defects caused by faulty materials or workmanship ("Warranty") for a period of 5 years from the date of purchase of the product.
 - For products (excluding Meters) which carry the "Macnaughtdesign" endorsement, an additional Warranty period of 5 years applies to all mechanical components (excluding electronic and electrical components), giving a total Warranty period of 10 years.
 - For Meters, the Warranty period is 12 months from the date of purchase of the product.
 - For components contained in all products which are usually subject to wear from normal operation of the products (such as o-rings, seals, springs, hoses and batteries), the Warranty period is 12 months from the date of purchase of the relevant product.
 - For products and components which are not manufactured by Macnaught and are supplied by Macnaught under a brand name other than "Macnaught", the Warranty period is the longer of 12 months from the date of purchase of the relevant product and the period of the manufacturer's warranty.
 - The warranties contained in clauses 1, 2, 3, 4 and 5 above are conditional on the purchaser, during the relevant Warranty period:
 - delivering to Macnaught a detailed notice setting out full details of any defect in any product and details of the date and place of purchase (together with copies of purchase receipts and/or other supporting documents), and
 - at the purchaser's own cost, returning the defective product to the nearest authorised Macnaught service centre.
 - Subject to compliance by the purchaser with clause 6, Macnaught shall, at its option, repair or replace any product or component found defective by its inspection by reason of faulty materials or workmanship of Macnaught.
 - This Warranty does not cover the failure of products, parts or components which, in the sole judgment of the Macnaught, arises other than from faulty materials or workmanship of Macnaught, including misuse, abrasion, corrosion, negligence, accident, substitution of non-Macnaught parts, unauthorised modification, improper use, storage or handling, faulty installation or tampering by the purchaser or any third party.
 - If Macnaught's inspection discloses no defect in material or workmanship, repair or replacement and return (at Macnaught's sole option) will be made at customary charges, which will be advised to the purchaser.
 - Macnaught's liability and the purchaser's rights under this Warranty shall be limited to the repair or replacement of defective products or components and particular, shall not extend to any direct, special, indirect or consequential damage or losses of any other warranties.
 - The foregoing Warranty supersedes, voids and is in lieu of any other warranties.
- This Warranty does not form part of, nor does it constitute, a contract between Macnaught and the end-user or purchaser. It is additional to any warranty given by the seller of the products. This Warranty does not exclude, limit, restrict or modify the non-excludable rights or remedies conferred upon the end-user or purchaser, or the non-excludable duties or liabilities imposed on the seller or Macnaught, by Part V, Division 2, 2A, and Part VA of the Trade Act 1974 (Commonwealth) or other rights conferred on the end-user or purchaser or duties or liabilities imposed upon Macnaught.



Macnaught Pty Ltd
 PO Box 90 Arncliffe NSW 2205 Australia
 Telephone (02) 9567 0401
 Facsimile (02) 9597 7773
 Email: sales@macnaught.com.au
 Web: www.macnaught.com.au