

## C4, C4 ZINC & C4-51 MODEL MULTI-PURPOSE PUMPS INSTRUCTION MANUAL

Thank you for purchasing either a Macnaught model C4, C4 Zinc or C4-51 Multi-Purpose Pump.

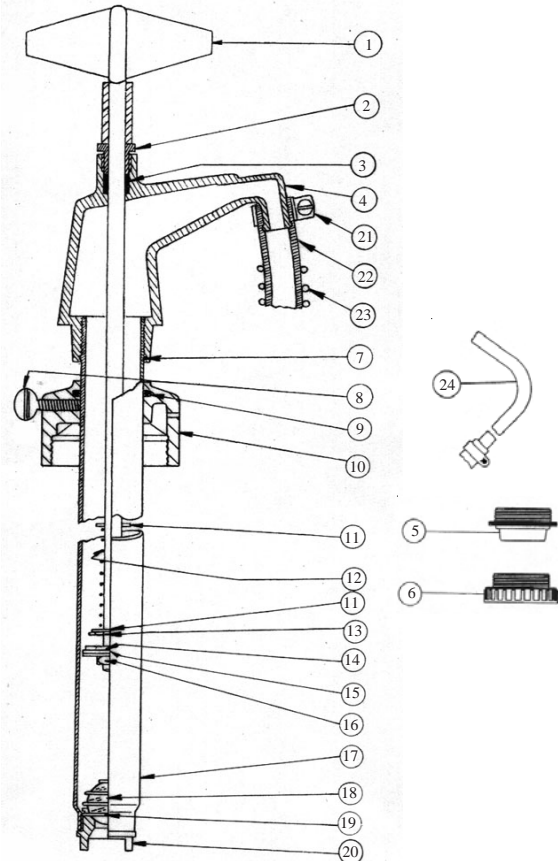
Please read and retain this instruction sheet to assist you in the maintenance of this quality product.

### IMPORTANT

Before operation ensure that manual non-drip nozzle is open to prevent pressure build up or hose damage.

Your C4 pump features:

- \* Adjustable collar with removable bung adaptor to suit drums with or without plastic spout.
- \* Fully serviceable, spare parts readily available.
- \* Delivers approximately 100ml per stroke.
- \* Fits 18 to 25 litre drums.
- \* Suitable for Kerosene, two stroke mix, light viscosity oils and most solvents.
- \* Model C4-51 is supplied complete with a 1.8m hose and nozzle.
- \* C4 ZINC Model for use in underground mines.



### PARTS LIST

| ORDER FOR REPLACEMENT |          |         |                    |                   |
|-----------------------|----------|---------|--------------------|-------------------|
| ITEM                  | PART No. | No. off | PART/SET           | DESCRIPTION       |
| 1                     | AC42     | 1       | AC42s              | PUMP ROD ASSEMBLY |
| 2                     | AC33     | 1       | AC33s              | GLAND NUT         |
| 3                     | AC34     | 1       |                    | GLAND SEAL        |
| 4                     | AC32     | 1       | AC32s incl BS024   | BODY              |
| 4                     | AC32-1   | 1       | AC32s-1 incl BS024 | BODY (ZINC)       |
| 5                     | AC2      | 1       |                    | ADAPTOR           |
| 6                     | AC9      | 1       |                    | ADAPTOR           |
| 7                     | BS024    | 1       |                    | O'RING            |
| 8                     | N71      | 1       | AC24s              | THUMB SCREW       |
| 9                     | BS216    | 1       |                    | O'RING            |
| 10                    | AC23     | 1       |                    | ADJUSTABLE COLLAR |
| 11                    | N103     | 2       |                    | WASHER            |
| 12                    | AC31     | 1       |                    | PLUNGER SPRING    |
| 13                    | N265     | 1       | AC6s               | SPRING CLIP       |
| 14                    | N105     | 1       |                    | VALVE PLATE       |
| 15                    | AC6      | 2       |                    | PLUNGER DISC      |
| 16                    | N212     | 1       |                    | STEEL LOCK NUT    |
| 17                    | AC10     | 1       | AC10s              | PUMP TUBE         |
| 18                    | N412     | 1       |                    | 9/16" STEEL BALL  |
| 19                    | KM58     | 1       | AC5s               | BALL RETAINER     |
| 20                    | KM57     | 1       |                    | FOOTVALVE         |
| 21                    | Z47      | 2       |                    | HOSE CLAMP P      |
| 22                    | AG87     | 1       | AG87s              | HOSE              |
| 23                    | AG24     | 1       |                    | HOSE SPRING       |
| 24                    | AG82     | 1       | AG82s              | OUTLET TUBE       |

### macnaught warranty



1. Macnaught Pty Ltd ("Macnaught") warrants that all products manufactured by Macnaught and/or supplied by Macnaught under the "Macnaught" brand, excluding M-Series positive displacement meters ("Meters") and components subject to wear, will be free from any defects caused by faulty materials or workmanship ("Warranty") for a period of 5 years from the date of purchase of the product.
2. For products (excluding Meters) which carry the "Macnaughtdesign" endorsement, an additional Warranty period of 5 years applies to all mechanical components (excluding electronic and electrical components), giving a total Warranty period of 10 years.
3. For Meters, the Warranty period is 12 months from the date of purchase of that product.
4. For components contained in all products which are usually subject to wear from normal operation of the products (such as o-rings, seals, springs, hoses and batteries), the Warranty period is 12 months from the date of purchase of the relevant product.
5. For products and components which are not manufactured by Macnaught and are supplied by Macnaught under a brand name other than "Macnaught", the Warranty period is the longer of 12 months from the date of purchase of the relevant product and the period of the manufacturer's warranty.
6. The warranties contained in clauses 1, 2, 3, 4 and 5 above are conditional on the purchaser, during the relevant Warranty period:
  - a. delivering to Macnaught a detailed notice setting out full details of any defect in any product and details of the date and place of purchase (together with copies of purchase receipts and/or other supporting documents); and
  - b. at the purchaser's own cost, returning the defective product to the nearest authorised Macnaught service centre.
7. Subject to compliance by the purchaser with clause 6, Macnaught shall, at its option, repair or replace any product or component found defective by its inspection by reason of faulty materials or workmanship of Macnaught.
8. This Warranty does not cover the failure of products, parts or components which, in the sole judgment of Macnaught, arises other than from faulty materials or workmanship of Macnaught, including misuse, abrasion, corrosion, negligence, accident, substitution of non-Macnaught parts, unauthorised modification, improper use, storage or handling, faulty installation or tampering by the purchaser or any third party.
9. If Macnaught's inspection discloses no defect in material or workmanship, repair or replacement and return (at Macnaught's sole option) will be made at customary charges, which will be advised to the purchaser.
10. Macnaught's liability and the purchaser's rights under this Warranty shall be limited to the repair or replacement of defective products or components and in particular, shall not extend to any direct, special, indirect or consequential damage or losses of any nature.
11. The foregoing Warranty supersedes, voids and is in lieu of all or any other warranties.

This Warranty does not form part of, nor does it constitute, a contract between Macnaught and the end-user or purchaser. It is additional to any warranty given by the seller of the products. This Warranty does not exclude, limit, restrict or modify the non-excludable rights or remedies conferred upon the end-user or purchaser, or the non-excludable duties or liabilities imposed on the seller or Macnaught, by Part V, Divisions 2, 2A and Part VA of the Trade Practices Act 1974 (Commonwealth) or other legislative provisions. Macnaught otherwise excludes, to the extent permitted by law, any rights conferred on the end-user or purchaser or duties or liabilities imposed upon Macnaught.



Macnaught Pty Ltd  
 PO Box 90 Arncliffe NSW 2205 Australia  
 Telephone (02) 9567 0401  
 Facsimile (02) 9597 7773  
 Email: sales@macnaught.com.au  
 Web: www.macnaught.com.au

AG12  
0107  
0009



## C7, C7 ZINC & CF7 MODEL GEAR OIL PUMPS

### INSTRUCTION MANUAL

Thank you for purchasing either a Macnaught model C7, C7 Zinc or CF7 Gear Oil Pump.

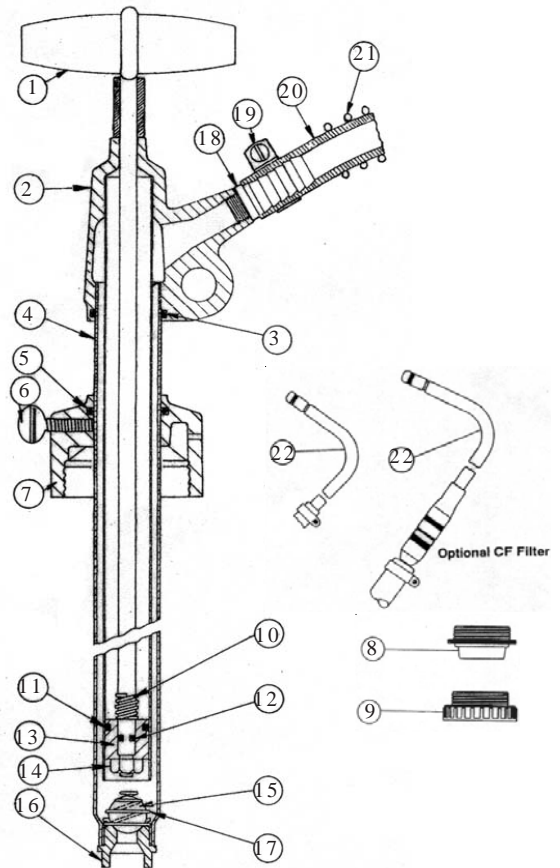
Please read and retain this instruction sheet to assist you in the maintenance of this quality product.

### IMPORTANT

Before operation ensure that manual non-drip nozzle is open to prevent pressure build up or hose damage.

Your C7 pump features:

- \* Adjustable collar with removable bung adaptor to suit drums with or without plastic spout.
- \* Fully serviceable, spare parts readily available.
- \* Pumps on the down stroke, approximately 100ml / stroke.
- \* Complete with 1.8m hose and non-drip nozzle.
- \* Suitable for oils up to SAE 140.
- \* Optional CF Filter for A.T.F and oils of similar viscosity.
- \* C7 ZINC Model for use in underground mines.



### PARTS LIST

|      |          | ORDER FOR REPLACEMENT |                      |              |                               |
|------|----------|-----------------------|----------------------|--------------|-------------------------------|
| ITEM | PART No. | No. off               | PART/SET             | KIT. REF     | DESCRIPTION                   |
|      |          |                       | C7-1K (KIT A)        |              | SEAL KIT                      |
| 1    | AC42     | 1                     | AC42s                |              | PUMP ROD ASSEMBLY             |
| 2    | AG24     | 1                     | AG24s incl BS024     |              | BODY & INNER TUBE ASSY        |
| 2    | AG24-1   | 1                     | AG24s-1 incl BS024   |              | BODY & INNER TUBE ASSY (ZINC) |
| 3    | BS024    | 1                     | AC10s                | A            | O'RING                        |
| 4    | AC10     | 1                     |                      | PUMP TUBE    |                               |
| 5    | BS216    | 1                     | AC24s                | A            | O'RING                        |
| 6    | N71      | 1                     |                      | THUMB SCREW  |                               |
| 7    | AC23     | 1                     | ADJUSTABLE COLLAR    |              |                               |
| 8    | AC2      | 1                     | ADAPTOR              |              |                               |
| 9    | AC9      | 1                     | ADAPTOR              |              |                               |
| 10   | AA11     | 1                     | AC5s                 | A            | TOP STOP SPRING               |
| 11   | BS113    | 1                     |                      | O'RING       |                               |
| 12   | BS008    | 1                     | O'RING               |              |                               |
| 13   | AG6      | 1                     | KM8s                 | A            | PISTON                        |
| 14   | N212     | 1                     |                      | STA LOCK NUT |                               |
| 15   | N412     | 1                     | AG88s                |              | 9/16" STEEL BALL              |
| 16   | KM57     | 1                     |                      | FOOTVALVE    |                               |
| 17   | KM58     | 1                     | BALL RETAINER        |              |                               |
| 18   | KM8      | 1                     | HOSE TAIL            |              |                               |
| 19   | N366     | 2                     | HOSE CLAMP           |              |                               |
| 20   | AG87     | 1                     | HOSE                 |              |                               |
| 21   | AG29     | 1                     | HOSE SPRING          |              |                               |
| 22   | AG88     | 1                     | OUTLET TUBE ASSEMBLY |              |                               |

### macnaught warranty



1. Macnaught Pty Ltd ("Macnaught") warrants that all products manufactured by Macnaught and/or supplied by Macnaught under the "Macnaught" brand, excluding M-Series positive displacement meters ("Meters") and components subject to wear, will be free from any defects caused by faulty materials or workmanship ("Warranty") for a period of 5 years from the date of purchase of the product.
2. For products (excluding Meters) which carry the "Macnaughtdesign" endorsement, an additional Warranty period of 5 years applies to all mechanical components (excluding electronic and electrical components), giving a total Warranty period of 10 years.
3. For Meters, the Warranty period is 12 months from the date of purchase of that product.
4. For components contained in all products which are usually subject to wear from normal operation of the products (such as o-rings, seals, springs, hoses and batteries), the Warranty period is 12 months from the date of purchase of the relevant product.
5. For products and components which are not manufactured by Macnaught and are supplied by Macnaught under a brand name other than "Macnaught", the Warranty period is the longer of 12 months from the date of purchase of the relevant product and the period of the manufacturer's warranty.
6. The warranties contained in clauses 1, 2, 3, 4 and 5 above are conditional on the purchaser, during the relevant Warranty period:
  - a. delivering to Macnaught a detailed notice setting out full details of any defect in any product and details of the date and place of purchase (together with copies of purchase receipts and/or other supporting documents); and
  - b. at the purchaser's own cost, returning the defective product to the nearest authorised Macnaught service centre.
7. Subject to compliance by the purchaser with clause 6, Macnaught shall, at its option, repair or replace any product or component found defective by its inspection by reason of faulty materials or workmanship of Macnaught.
8. This Warranty does not cover the failure of products, parts or components which, in the sole judgment of Macnaught, arises other than from faulty materials or workmanship of Macnaught, including misuse, abrasion, corrosion, negligence, accident, substitution of non-Macnaught parts, unauthorised modification, improper use, storage or handling, faulty installation or tampering by the purchaser or any third party.
9. If Macnaught's inspection discloses no defect in material or workmanship, repair or replacement and return (at Macnaught's sole option) will be made at customary charges, which will be advised to the purchaser.
10. Macnaught's liability and the purchaser's rights under this Warranty shall be limited to the repair or replacement of defective products or components and in particular, shall not extend to any direct, special, indirect or consequential damage or losses of any nature.
11. The foregoing Warranty supersedes, voids and is in lieu of all or any other warranties.

This Warranty does not form part of, nor does it constitute, a contract between Macnaught and the end-user or purchaser. It is additional to any warranty given by the seller of the products. This Warranty does not exclude, limit, restrict or modify the non-excludable rights or remedies conferred upon the end-user or purchaser, or the non-excludable duties or liabilities imposed on the seller or Macnaught, by Part V, Divisions 2, 2A and Part VA of the Trade Practices Act 1974 (Commonwealth) or other legislative provisions. Macnaught otherwise excludes, to the extent permitted by law, any rights conferred on the end-user or purchaser or duties or liabilities imposed upon Macnaught.



**macnaught**

Macnaught Pty Ltd  
PO Box 90 Arncliffe NSW 2205 Australia  
Telephone (02) 9567 0401  
Facsimile (02) 9597 7773  
Email: sales@macnaught.com.au  
Web: www.macnaught.com.au